



HDG GRADE 'S' DEE SHACKLE BUCKET

To AS2741-2002 with Yellow Pin

Screw Pin Dee Shackles

Capacities: 0.5 to 8.5 tonne

Beaver continue to offer the widest possible choice of shackles.

Our next generation shackles take the guesswork out of choosing the right capacity when matching lifting components.

All Beaver Grade 'S' Dee shackles are easily identified with prominent stamping.

Suitable for mining, resource and construction industry applications.

When safety counts - make the right choice first time with a Beaver product.

Complies to AS2741-2002.



As of 01/01/2014 Shackles from 0.33T to 8.5T will only be available to purchase in buckets.



1300 783 606

www.beaver.com.au



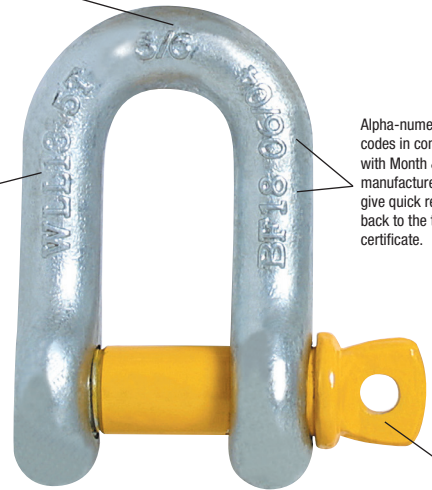
HDG GRADE 'S' DEE SHACKLE BUCKET

Technical Data

- Beaver Alloy Grade 'S' shackles have been developed in accordance with Australian Standard AS2741-2002.
- All Beaver Grade 'S' shackles are easily identified with prominent stamping indicating MM/YY for quick reference of the products manufacture and working load limit.
- Test certificates are readily available on request.



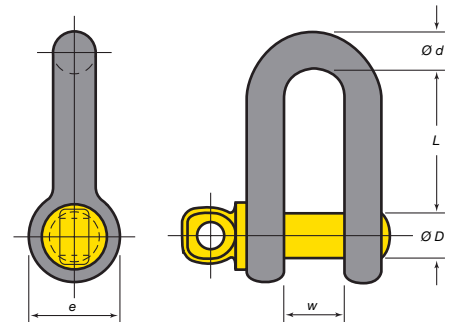
The mark S/6 here indicates an Alloy Grade 'S' shackle suitable for lifting.



Individually stamped with the W.L.L. showing the Working Load Limit in tonnes.

Alpha-numeric codes in conjunction with Month & Year of manufacture (MM/YY) give quick reference back to the test certificate.

S/6 indicates an Alloy Grade 'S' shackle pin.



Screw Pin Dee Shackles - SPECIFICATIONS & DIMENSIONS

Beaver Code	Size mm	Working Load Limit tonnes	Dia. d mm	Pin Dia. D mm	Inside Width W mm	Inside Length L mm	Dia. Boss e mm	Square Pail	Qty / Pail	Weight / Pail
241306P	6 x 8	0.5	6	8	12	22	17	2L	100	2.80
241308P	8 x 10	0.75	8	10	13	26	21	2L	50	3.85
241310P	10 x 11	1.00	10	11	17	32	25	2L	30	3.90
241311P	11 x 13	1.50	11	13	18	37	27	2L	20	4.00
241313P	13 x 16	2.00	13	16	21	41	33	2L	14	4.20
241316P	16 x 19	3.20	16	19	27	51	40	5L	20	11.60
241319P	19 x 22	4.70	19	22	32	60	48	5L	10	10.20
241322P	22 x 25	6.50	22	25	37	71	54	5L	8	11.44
241325P	25 x 29	8.50	25	29	43	81	60	5L	4	8.62

NOTE : Dimensions are nominal - actual dimensions fall within the tolerances of AS2741-2002.



Beaver Testing Facilities

Beaver is a company with AS/NZS ISO 9001:2008 Quality Assurance accreditation and NATA Accredited Laboratories are our commitment to supply a quality product and service to our customers is most important to us.

We have NATA Test Laboratories located in Sydney and Perth.

Specifications and dimensions subject to change without notice.
© Copyright 2013 Beaver Brands B0C-SA-04-SHK-C/R



Distributed by: